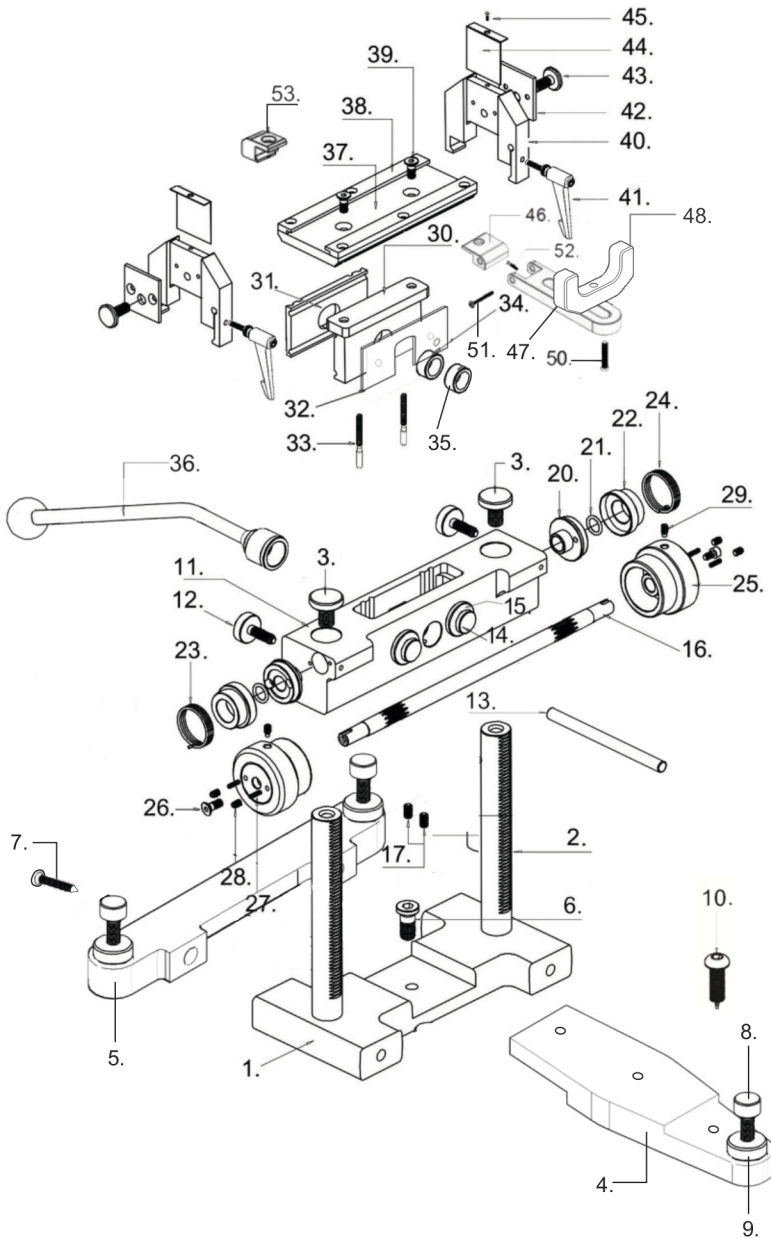


NEO REST REGULAR

EXPLODED DRAWING



PARTS LIST

1	Main Base
2	Rack Gear Post
3	Top Post Screw M12 x 1.75
4	Leg 1 (Long Leg)
5	Leg 2(W/ Carrying Handle)
6	Countersink Screw M12 x 30
7	Counter sink Screw M12 x 60
8	Leveling Screw M12 x 1.75
9	Counter Nut
10	Extra short spike (spare)
11	Coaxial Body (Carriage)
12	Locking Bolt M8 x 1.25
13	Center Shaft
14	Tension Adjustment Screw M12 x 1.0
15	Locking Nut M12 x 1.0 (Fine Thread)
16	Pinion Shaft
17	Set Screw M6 x 15
18	-----
19	-----
20	S/S Disc
21	O-Ring P12.5 JIS
22	Brake Drum
23	Coupling Spring (Clock Wise)
24	Coupling Spring (Counter Clock Wise)
25	Hand Wheel
26	Countersink Screw M5 x 15
27	Compression Spring Ø4 x 15
28	Set Screw M5 x 10
29	Set Srew M5 x 10
30	Sliding Plate "X"
31	Sliding Plate "Y"
32	Teflon Sheet
33	Coil Spring + Polimer Tip
34	Spherical Plain Bearing
35	Spherical Plain Bearing
36	Joystick w/Collet Type Head
37	Top Plate
38	Top Retainer Plate
39	Countersink Screw M5 x 15
40	Side Plate (Adjustable width)
41	Adjustable Lever Screw M6 x 1.0
42	Side Retainer Plate
43	Side Tension Adjusment M8 x 1.25
44	S/S "L" Plate
45	Screw M4 x 1.0
46	Pivotal Joint
47	Stopper Arm
48	Foreend Stopper
49	-----
50	Screw M10 x1.5
51	Screw M5 x 0.8
52	Set Screw M5 x 8 (For Up & Down)
53	Leveler